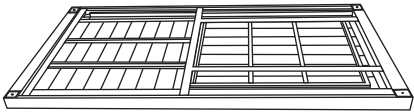
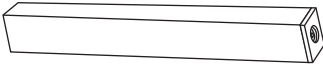




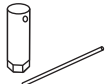
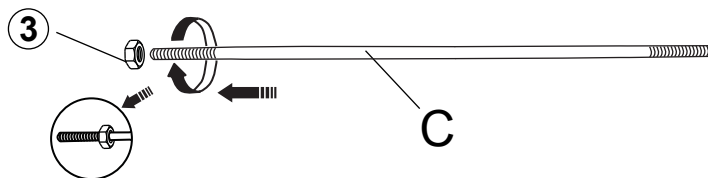


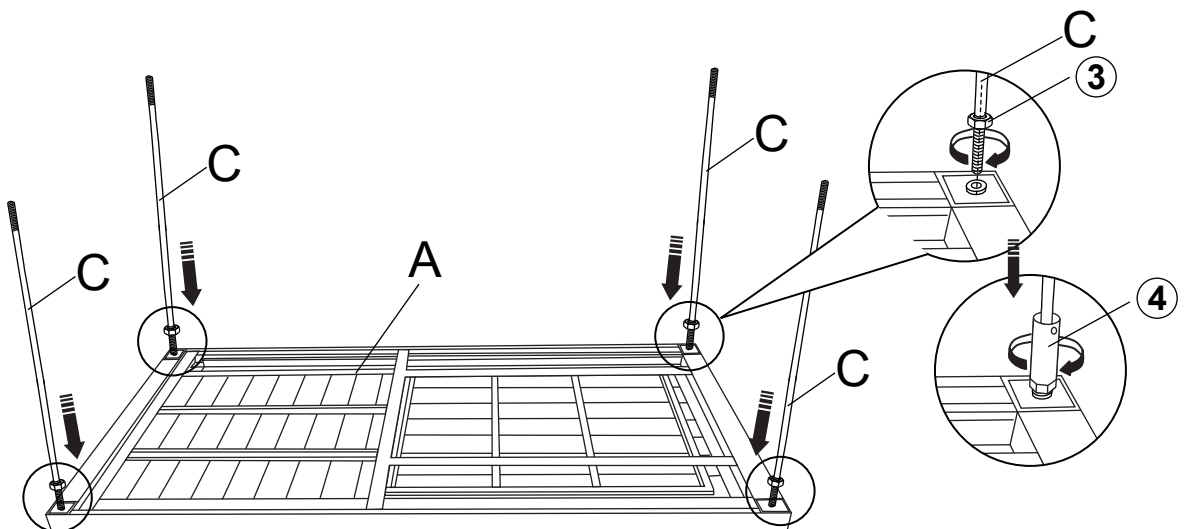
| | | |
|---|---|---|
| A |  | 1 |
| B |  | 4 |
| C |  | 4 |

| | | |
|---|---|---|
| ① |  | 4 |
| ② |  Ø10mm | 4 |
| ③ |  Ø10mm | 8 |
| ④ |  | 1 |

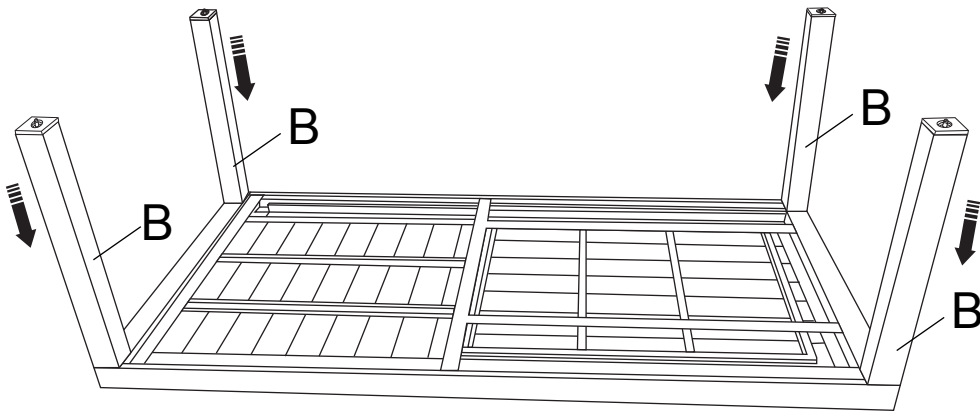
①



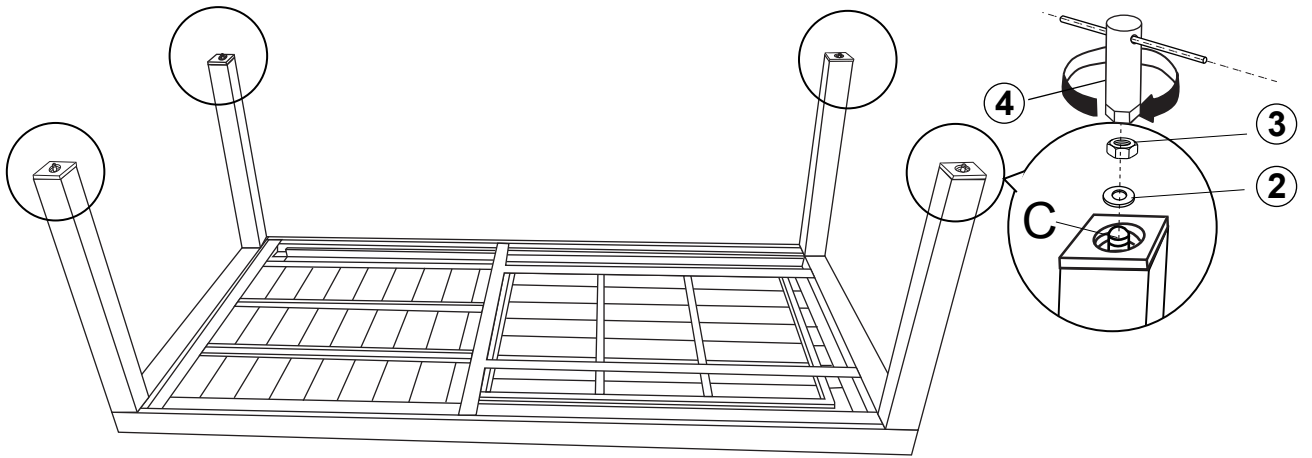
②



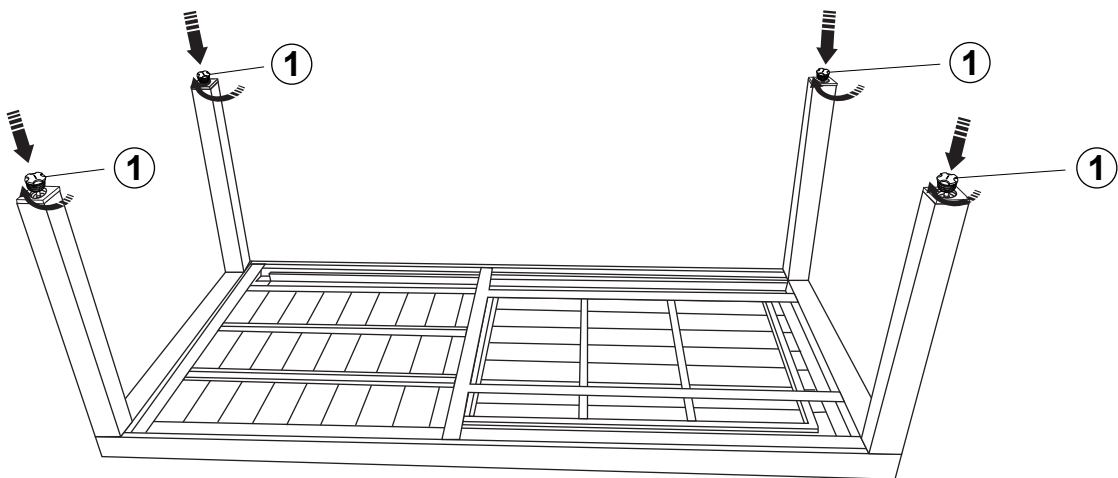
3



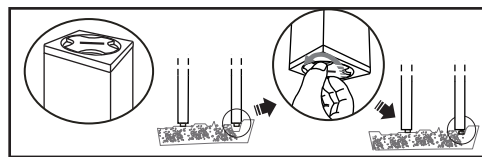
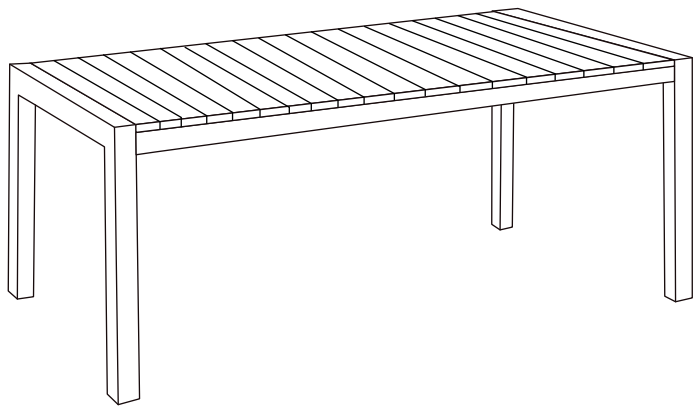
4



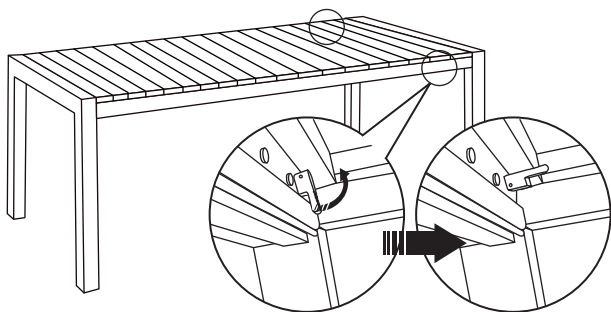
5



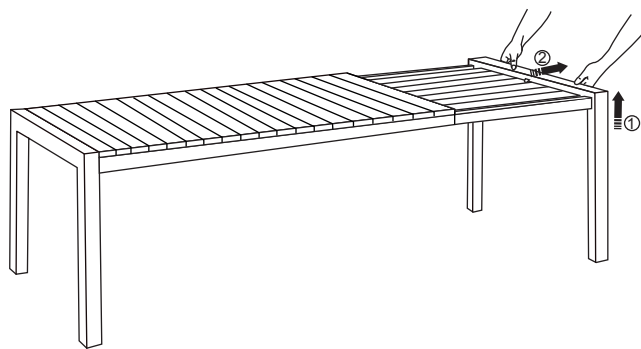
6



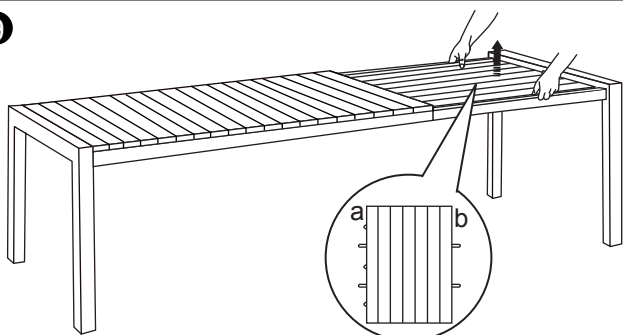
7



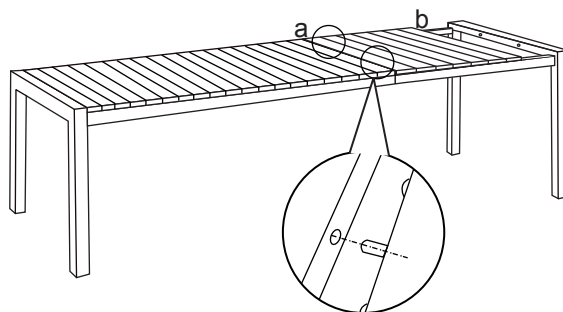
8



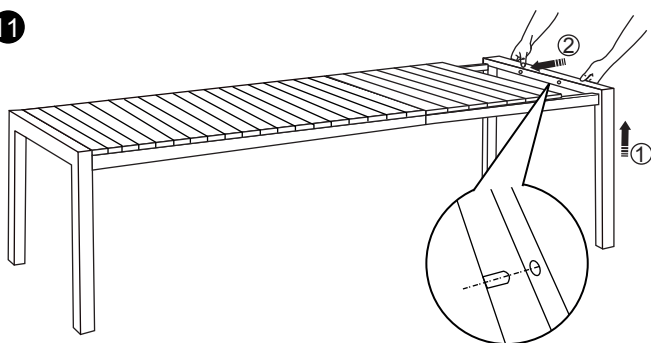
9



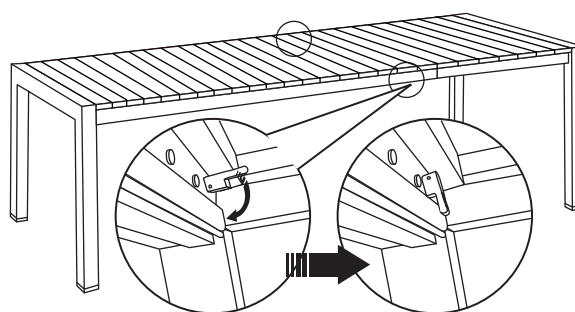
10



11



12



13

